



**The Netherlands**  
Lincoln Smitweld B.V.  
P.O. Box 253  
6500 AG Nijmegen  
Tel: +31 24 3522 911  
Fax: +31 24 3522 204

**Belgium**  
Lincoln Smitweld Belgium S.A.  
Paul Gilsonlaan 470  
1620 Drogenbos  
Tel: +32 2 37 70 071  
Fax: +32 237 81 877

**Germany**  
Lincoln Smitweld GmbH  
Max-Keith-Strasse 39  
45136 Essen  
Tel: +49 201 8 96 280  
Fax: +49 201 8 96 2831

**Norway**  
Lincoln Electric Norge A.S.  
Brobekkveien 38  
P.O. Box 146 Alnabru  
N-0614 Oslo  
Tel: +47 23 37 74 00  
Fax: +47 22 72 05 80

**Denmark**  
Lincoln Electric Nordic  
Frichsparken  
Søren Frichs Vej 38D  
8230 Åbyhøj  
Tel: +45 86 26 51 00  
Fax: +45 86 26 51 50

**Sweden**  
Lincoln Electric Sverige AB  
Lärkvägen 2  
441 40 Alingsås  
Tel: +46 322 781 30  
Fax: +46 322 671 830

**Finland**  
Lincoln Electric Finland  
Mestarintie 4  
27500 Kauttua  
Tel: +358 10 522 3500  
Fax: +358 10 522 3510

**Croatia**  
Lincoln Croatia / Trea Trade d.o.o.  
Blazici b.b  
51 000 Rijeka  
Tel: +385 51 683 400  
Fax: +358 51 681 088

**France**  
Lincoln Electric France S.A.  
Avenue Franklin Roosevelt  
76120 Le Grand-Quevilly  
Tel.: +33 232 11 40 40  
Fax: +33 232 11 40 11

**Italy**  
Lincoln Electric Italia S.r.l.  
Via F.lli Canepa 8  
16010 Serra Riccò, Genova  
Tel.: +39 010 754 111  
Fax: +39 010 754 1150

**Spain**  
Lincoln KD S.A.  
Ctra. Laureà Miro 396-398  
08980 Sant Feliu de Llobregat, Barcelona  
Tel.: +34 93 685 9600  
Fax: +34 93 685 9610

**England**  
Lincoln Electric (UK) Limited  
Mansfield Road  
Aston, Sheffield, S26 2BS  
Tel.: +44 114 287 2401  
Fax: +44 114 287 2582

**Czech Republic & Slovakia**  
Lincoln Electric  
Nao KAJETTANKOU 29/1445  
1 69 00 Praha 6,  
Tel./Fax: +420 2333 55 409  
Mobile: +420 606 61 61 65

**Hungary**  
Lincoln Electric Hungarian  
Representative Office  
1239 Budapest  
Haraszti ut 44  
Tel.: +36 1 289 0980  
Mob.: +36 30989 66 42  
Fax: +36 1 286 0328

**Lithuania**  
Lincoln Electric Lithuania  
Stoties Str 3 – 1  
5730 Silute  
Tel/fax: +370 698 135 91

**Romania, Serbia, Macedonia, Bulgaria**  
Lincoln Electric Europe  
Calea Dorobantilor 111-131  
Bloc 9C, Sc. E, Apt 151  
Sector 1, 71224, Bucharest, Romania  
Tel. +407 44 566 702  
Mob.: +407 44 309 338  
Fax: +402 12 308 381

**Turkey**  
Akaynak  
Yakacikalti, Ankara Asfalti  
Yanyol Mermer Sok. No: 16 Kartal  
81450 Istanbul,  
Tel.: +902 163 773 090  
Fax: +902 163 770 000



## PORTABLE WELDING FUME EXTRACTOR MINIFLEX



With the new Lincoln Electric Miniflex it has become very easy to protect the welder against inhaling welding fumes that might have harmful effects. This portable welding fume extractor excels in performance, design and comfort of handling. The result is a higher productivity of the welder and a reduced absenteeism. Welders can now be protected during all kinds of welding activities in any situation since the Miniflex can also be used in confined spaces and other locations that are not accessible with other welding fume extractors.



www.lincolnelectric.com



# LINCOLN ELECTRIC'S MINIFLEX MAKES THE DIFFERENCE

## Thought-out design

Through the automatic start/stop, the unit automatically switches on when welding is taking place. Miniflex is compact and light due to the use of impact-resistant synthetic components. This makes it easy to handle and to use, even in small confined areas or at difficult to reach welding locations. The standard set of wheels allows easy rolling of the Miniflex.

## LongLife-H filter technique

The unique LongLife-H filter has a surface of no less than 12 m<sup>2</sup>. This results in a long life and a constant high efficiency since filter cleaning does not have to take place very frequently. The extracted welding fume deposits are disposed together with the filter so that no dust is released.

## Four-stage filtration system

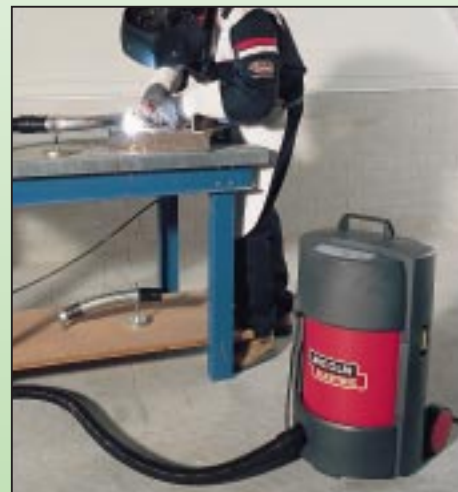
When the welding fumes enter the unit they first pass a metal pre-separator. Subsequently the fumes flow through the aluminium pre-filter, the LongLife-H main filter and an optional activated carbon filter. The last filter the fumes pass is a HEPA filter which guarantees a filtration efficiency of 99.9% under all circumstances.

## Low noise level

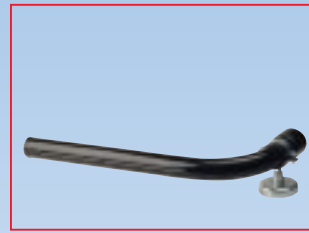
The insonoration of the Miniflex is excellent. A significant noise reduction has been realised through the installation of a smart noise insulation into the air exhaust which does not affect the motor cooling.

## Two powerful motors

The two motors guarantee an adequate extraction capacity under all conditions. At low welding fume concentrations, the extraction capacity can be halved in which situation both motors operate at half speed. This has the following advantages: a constant motor load for both motors, a lower noise level and reduced maintenance. The forced-cooling system allows a continuous use of the Miniflex.



## ACCESSORIES MINIFLEX



Extraction nozzle EN-40 which is 40 cm long



Funnel extraction nozzle EN-20



Hose length 2.5 m H 2,5/45  
Hose length 5 m H 5,0/45



Nozzle kits to provide extraction capacity to standard welding torches, type NKT for top extraction and type NKC for annular extraction



Hose connection HCH 45 to dispose filtrated welding fumes, e.g. when welding stainless steel.



Activated carbon filter FAC HV to neutralise smells



Wall mounting bracket MBH

## AUTO START/STOP

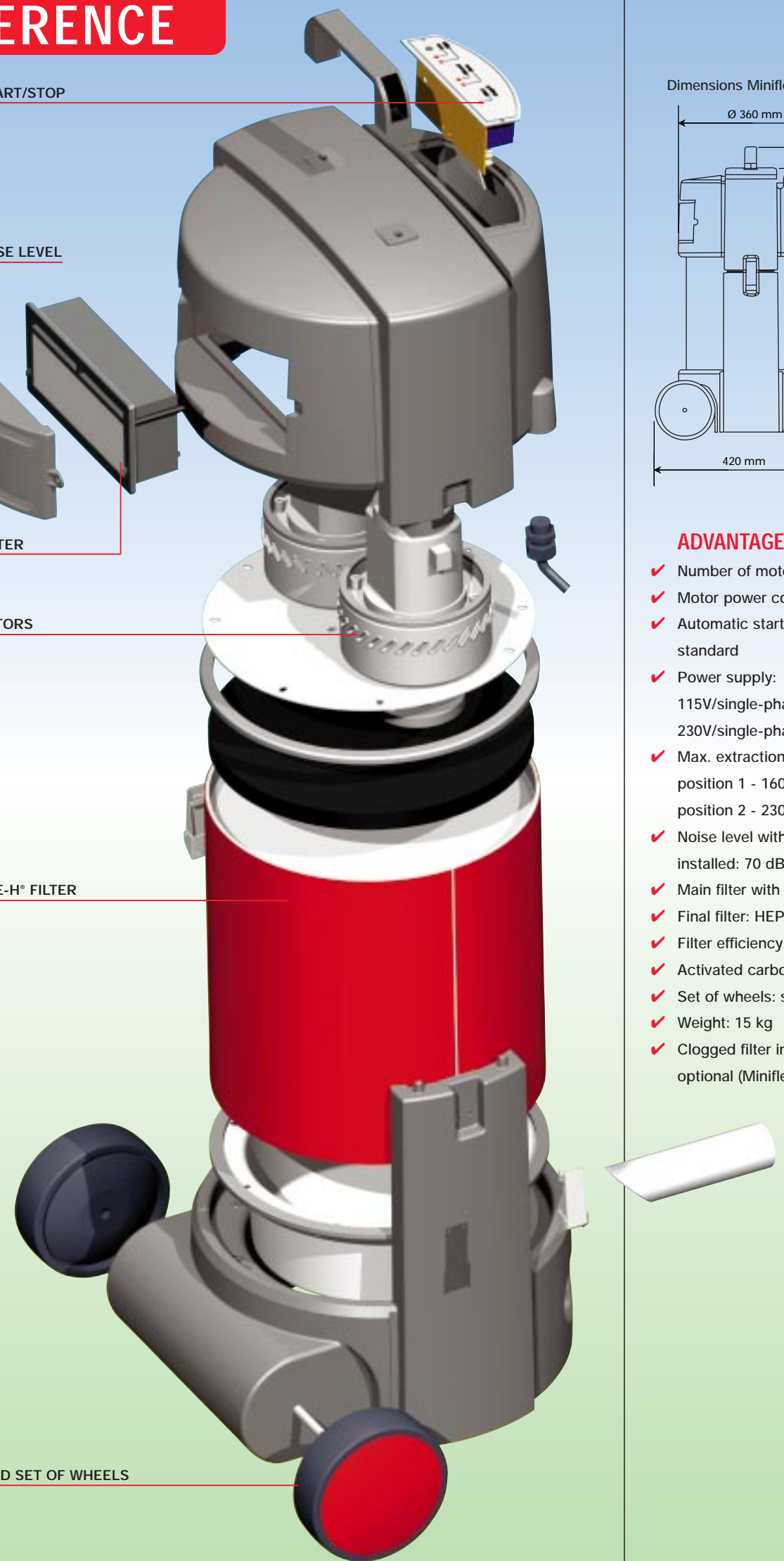
## LOW NOISE LEVEL

## HEPA-FILTER

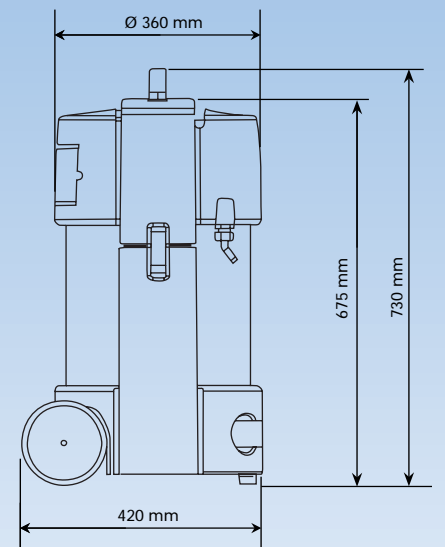
## TWO MOTORS

## LONGLIFE-H® FILTER

## STANDARD SET OF WHEELS



## Dimensions Miniflex



## ADVANTAGE

- ✓ Number of motors: 2
- ✓ Motor power consumption: 2 x 1kW
- ✓ Automatic start/stop switching: standard
- ✓ Power supply: 115V/single-phase/50-60Hz  
230V/single-phase/50-60Hz
- ✓ Max. extraction capacity: position 1 - 160 m<sup>3</sup>/h  
position 2 - 230 m<sup>3</sup>/h
- ✓ Noise level with extraction torch installed: 70 dB(A)
- ✓ Main filter with spark arrester: 12 m<sup>2</sup>
- ✓ Final filter: HEPA, filter class H12
- ✓ Filter efficiency: 99,9%
- ✓ Activated carbon filter: optional
- ✓ Set of wheels: standard
- ✓ Weight: 15 kg
- ✓ Clogged filter indicator and BIA-W3: optional (Miniflex-I)